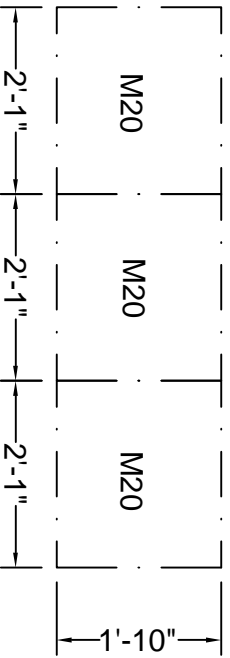
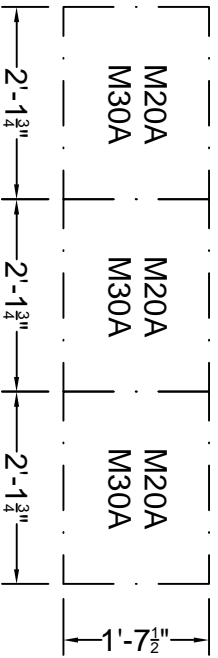


71161  
**AcryFab M-Series Cigarette Rack**  
**Suspended Ceiling Installation Diagram**

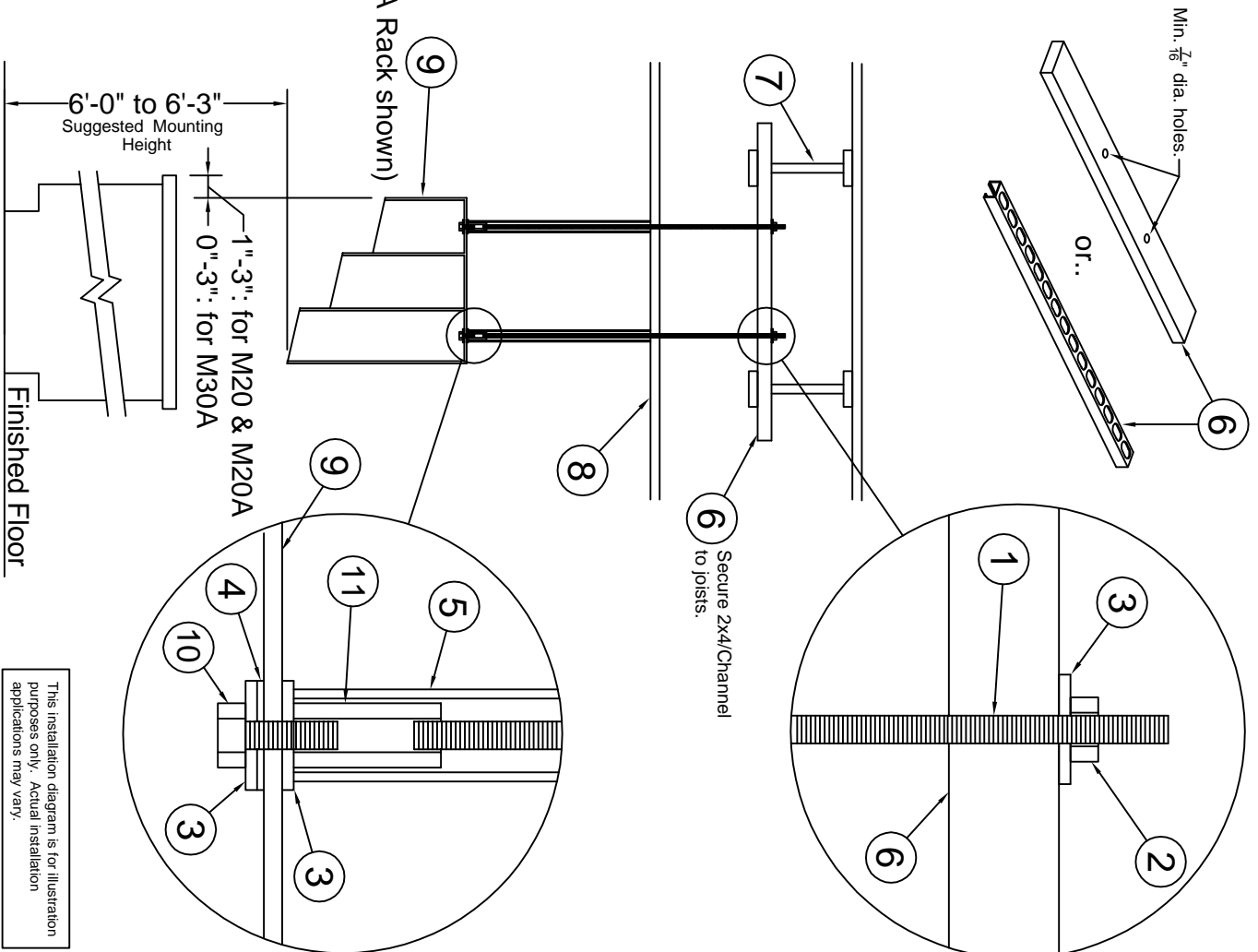


**Cigarette Rack Dimensions (Front View)**

**Mounting Hardware & Diagram Key**

No.	Description	Qty. Req'd	Qty. Included
1	3/8"-20 Threaded Rod	4	
2	3/8"-20 Hex Nut	4	
3	3/8" Washer	12	4
4	3/8" O-ring	4	4
5	1 1/4" O.D. Tubing	4	
6	2x4 or UniStrut Channel	2	
7	Truss/Ceiling Joist		
8	Roof		
9	Cigarette Rack		
10	3/8"-20 x 1 1/4" Hex Head Bolt	4	
11	3/8"-20 Coupler	4	
12	3/8" x 2" Hex Head Lag Screw (for solid ceiling mount only)		4

Required hardware quantities shown is per each modular unit.  
 Other hardware shall be provided by others.



This installation diagram is for illustration purposes only. Actual installation applications may vary.